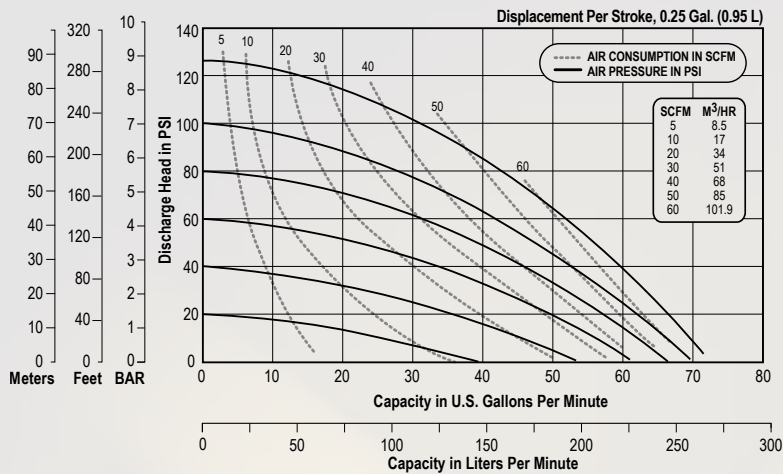


1 1/2" Elima-Matic Food Processing with Metallic Center Section

E4

Performance



NOTE: Performance based on the following: elastomeric fitted pump, flooded suction, water at ambient conditions. The use of other materials and varying hydraulic conditions may result in deviations in excess of 5%.

Specifications

Flow Rate

Adjustable to 0-71 gpm (268 lpm)

Port Size

Suction 2" Tri-Clamp

Discharge 2" Tri-Clamp

Air Inlet 1/2" NPT

Air Exhaust 3/4" NPT

Suction Lift

Dry 15' (4.57 m)

Wet 25' (7.62 m)

Max Solid Size (Diameter)

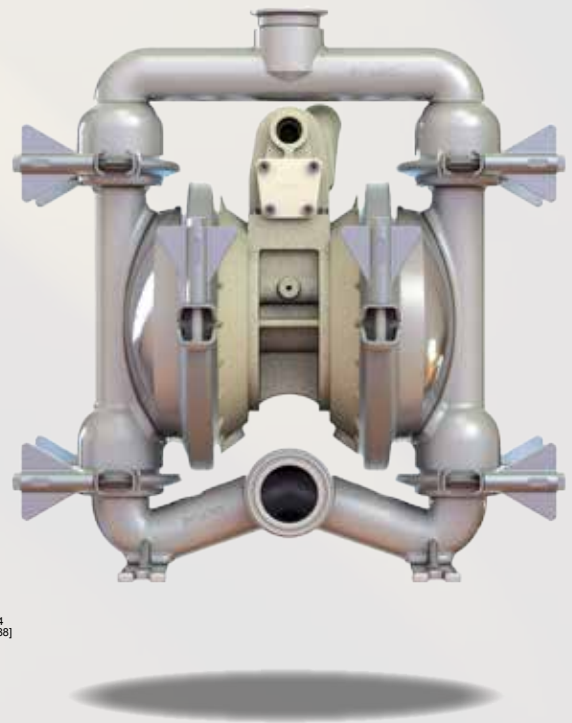
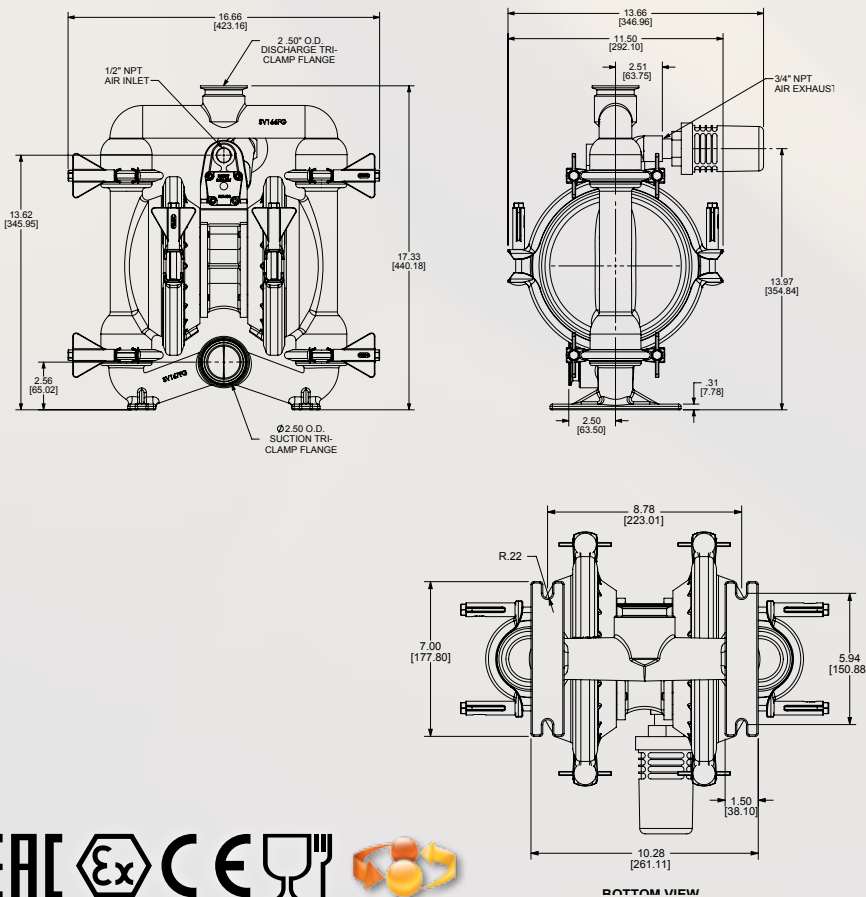
. 3/16" (4.76 mm)

Max Noise Level 101 dB(A)

Shipping Weights

Stainless Steel 57 lbs (25.85 kg)

Dimensions



Warren Rupp, Inc. • A Unit of IDEX Corporation
800 North Main Street, Mansfield, OH 44902 USA
Phone: 419.526.7296 • Fax: 419.526.7289 • www.versamatic.com

e4mdlAsmFP-rev0317